



Engine	Kubota D902
Net Power	11.8 kW (15.8 hp / 16.0 ps) @ 2,300 rpm
Maximum Dig Depth	2,255 mm (7'5")
Standard Bucket Capacity	0.045 m ³ (0.06 yd ³)
Operating Weight (steel track)	1,850 kg (4,079 lbs)
Operating Weight (rubber track)	1,750 kg (3,858 lbs)

9017F_{ZTS} EXCAVATOR

9017F_{ZTS} SPECIFICATIONS >>>

ENGINE	
Emission Regulation	Tier 4F / Stage V
Manufacturer	Kubota
Model	D902
Net Power	11.8 kW (15.8 hp / 16.0 ps) @ 2,300 rpm
Peak Torque	51.3 N·m (37.8 lbf·ft) @ 1,800 rpm
Number of Cylinders	3
Displacement	0.898 L

UNDERCARRIAGE	
Shoe Width	230 mm (9")
Number of Shoes per Side	37
Number of Bottom Rollers per Side	3

TRACK DRIVE	
Maximum Travel Speed	4.0 km/h (2.5 mph)
Drawbar Pull	16 kN (3,597 lbf)

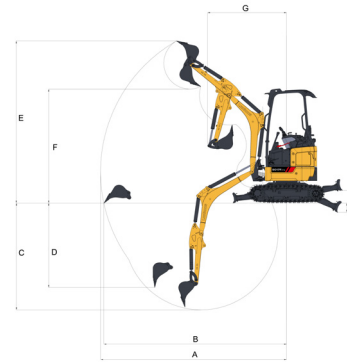
HYDRAULIC SYSTEM	
Main Pumps Total Flow	44 L/min (11.6 gal/min)
Relief Pressure, main	21 MPa (3,046 psi)

SWING SYSTEM	
Swing Speed	9.5 rpm

BOOM & ARM	
Boom Length	1,685 mm (5'6")
Arm Length	1,070 mm (3'6")

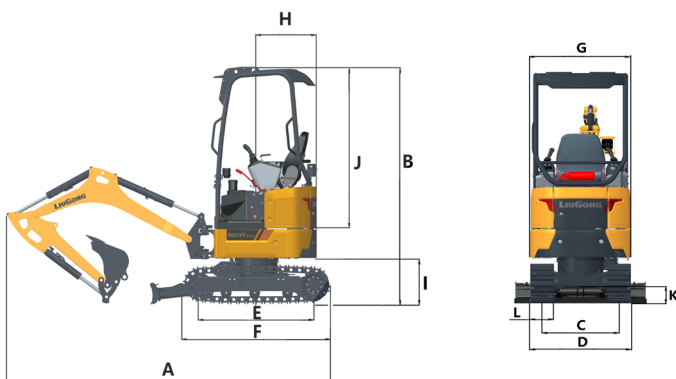
BUCKET PERFORMANCE	
Std. Bucket Heaped Capacity (Referenced)	0.045 m ³ (0.06 yd ³)

SERVICE CAPACITIES	
Fuel Tank	22 L (5.8 gal)
Engine Oil	3.7 L (1.0 gal)
Cooling System	3.0 L (0.79 gal)
Hydraulic Reservoir	15 L (3.96 gal)



WORKING RANGE	
A. Max. Digging Reach	3,910 mm (12'10")
B. Max. Digging Reach on Ground	3,840 mm (12'7")
C. Max. Digging Depth	2,255 mm (7'5")
D. Max. Vertical Wall Digging Depth	1,780 mm (5'10")
E. Max. Cutting Height	3,420 mm (11'3")
F. Max. Dumping Height	2,400 mm (7'10")
G. Min. Front Swing Radius	1,660 mm (5'5")
H. Maximum Blade Depth	240 mm (9.5")
I. Maximum Blade Height	240 mm (9.5")
Bucket Digging Force (ISO)	16 kN (3,597 lbf)
Arm Digging Force (ISO)	9 kN (2,023 lbf)
Bucket Capacity	0.045 m ³ (0.06 yd ³)
Bucket Tip Radius	548 mm (1'10")

DIMENSIONS	
A Shipping Length	3,445 mm (11'8")
B Shipping Height	2,410 mm (7'11")
C Track Gauge	750 mm (2'6") 1,060 mm (3'6")
D Undercarriage Width- 230mm shoes	980 mm (3'3") 1,290 mm (4'3")
E Length to Center of Rollers	1,230 mm (4')
F Track Length	1,580 mm (5'2")
G Overall Width of Upper Structure	980 mm (3'3")
H Tail Swing Radius	645 mm (2'1")
I Counterweight Ground Clearance	469 mm (1'6")
J Overall Height of Cab	1,652 mm (5'5")
K Min. Ground Clearance	150 mm (5.9")
L Track Shoe Width	230 mm (9")
Maximum Boom Offset to the Right	419 mm (1'4")
Maximum Boom Offset to the Left	558 mm (1'10")
Maximum Boom Swing Angle to the Right	58°
Maximum Boom Swing Angle to the Left	72°



Guangxi Liugong Machinery Co., Ltd.

No. 1 Liutai Road, Liuzhou, Guangxi 545007, PR China
T: +86 772 3886124 E: overseas@liugong.com
www.liugong.com

Specifications and designs are subject to change without notice. Machines shown may include optional equipment. Liugong standard and optional equipment may vary from region to region. Please consult your Liugong dealer for information specific to your area. Engine power kW is converted to horsepower (1 kW=1.3596 ps and 1 kW=1.3410 hp) in this file.

10/2024 Designed by LiuGong
Replace the previous version of 12/2022