

LIUGONG

870HE



BATTERY TYPE	LFP
RATED STORAGE ENERGY	423 kWh
OPERATING WEIGHT	24,640 kg
STANDARD BUCKET SIZE	4.7 m ³
STANDARD BREAKOUT FORCE	221 kN
STANDARD DUMP CLEARANCE	3,101 mm



BATTERY ELECTRIC VEHICLE

TOUGH WORLD. TOUGH EQUIPMENT.

870HE



SPECIFICATIONS >>>

POWER BATTERY	
Battery Type	LFP
Rated Storage Energy	423 kWh
Nominal Voltage	618 V
System Voltage	DC24 V
BMS Protection Level	IP67
Cooling Type	Intelligent temperature control liquid cooling
Recommended Charger	120 ~ 300 kW
Charging Time (300kW Charging Power)	≤ 80 min

DRIVE MOTOR	
Peak Power	160 kW
Protection Level	IP67
Ambient Temperature	- 40 ~ 85°C
Cooling Type	Intelligent temperature control liquid cooling
Altitude	≤ 5,000 m

HYDRAULIC MOTOR	
Peak Power	160 kW
Protection Level	IP67
Ambient Temperature	- 40 ~ 85°C
Cooling Type	Intelligent temperature control liquid cooling
Altitude	≤ 5,000 m

TRANSMISSION	
Manufacturer	LiuGong
Number of Speeds, fwd / rev	2 / 2
Maximum Travel Speed, fwd	40 km/h
Maximum Travel Speed, rev	25 km/h
Transmission Type	Planetary electronic control shift

AXLES	
Type	LiuGong wet axle
Axle Oscillation	± 9.5°
Tire Size	26.5R25 ★ L-3

WORKING HYDRAULICS	
System	Variable dual pumps confluent
Operation	Single electric-control joystick
Work Pump	Variable displacement piston pump
Work Pressure	28 MPa

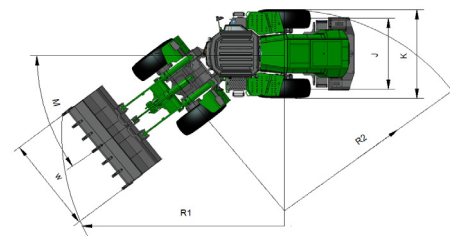
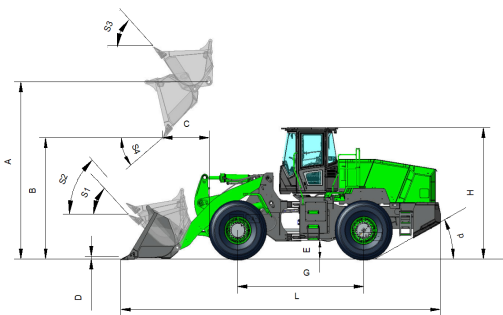
STEERING HYDRAULICS	
System	Flow amplifying
Steering Pump	Variable displacement piston pump
Steering Relief Pressure	21 MPa

BRAKES	
Service Brake Type	Full hydraulic braking
Service Brake Actuation	Hydraulic wet brake
Parking Brake Type	Drum
Parking Brake Actuation	Hydraulic brake cylinder

LOADER ARM PERFORMANCE	
Operating Weight	24,640 kg
Bucket Capacity	4.7 m³
Tipping Load - Straight	19,000 kg
Tipping Load - Full Turn	16,800 kg
Raise Time	5.2 s
Dump Time	1.3 s
Float Down Time	3.0 s
Fastest Total Cycle Time	9.5 s
Bucket Breakout Force	221 kN
A Maximum Hinge Pin Height	4,470 mm
B Dump Clearance at Full Height Discharge	3,101 mm
C Dump Reach at Full Height Discharge	1,257 mm
D Maximum Digging Depth, Bucket Level	119 mm
S ₁ Bucket Rollback at Ground Level	45°
S ₂ Bucket Rollback at Carry	50°
S ₃ Bucket Rollback at Maximum Height	58°
S ₄ Maximum Dump Angle at Full Height	45°

DIMENSIONS	
E Ground Clearance	424 mm
G Wheelbase	3,715 mm
H Cab Height	3,550 mm
J Wheel Tread	2,300 mm
K Width over Tires	2,995 mm
L Length with Bucket Down	9,145 mm
M Turn Angle, Either Side	38°
P Rear Angle of Departure	28°
R ₁ Turning Radius, Bucket Carry	7,577 mm
R ₂ Turning Radius, Outside of Tire	6,946 mm
W Width over Bucket	3,210 mm

SERVICE CAPACITIES	
Anti-freeze	45 L
Hydraulic Reservoir	284 L
Axle, Front / Rear	63 / 63 L
Transmission	23 L



Guangxi Liugong Machinery Co., Ltd.

No. 1 Liutai Road, Liuzhou, Guangxi 545007, PR China
T: +86 772 3886124 E: overseas@liugong.com
www.liugong.com

Specifications and designs are subject to change without notice. Machines shown may include optional equipment. LiuGong standard and optional equipment may vary from region to region. Please consult your LiuGong dealer for information specific to your area.

02/2025 Designed by LiuGong
Replace the previous versions of 02/2025