

LA16JE

Articulating Boom Lifts-Electric

Safe and Reliable

- Standard dual channel sensor, safe and reliable;
- Electric emergency power systems provide more security;
- The protection level of components of the whole machine is above IP65, the protection level is high.

Intelligent and efficient

- Composite action, intelligent and efficient;
- Electronic differential combined with suspending axle technology for better trafficability;
- Compact structure, zero tail pendulum, suitable for working in narrow spaces;
- Hybrid drive, with a climbing ability of up to 40% and strong passability;
- High-power charger, large-capacity power battery, fast charging, ultra-long endurance.

Energy saving and comfort

- Self-weight decrease through the booms, energy saving and stable;
- Automatic deceleration at the action limit position, stable action, small shaking;
- Optimize the electric control algorithm with the load sensitive hydraulic system to achieve accurate power output.

Green and environmental protection

- Pure electric power, low use and maintenance cost, high return on investment;
- Green and environmental protection, no emission, low noise, meet indoor and outdoor working conditions.

Standard configuration

- Platform work lights
- Working strobe lamp
- Load Sensing System
- Electro hydraulic proportional control
- Automatic brake system
- Tilt protection system
- Telematics-BOX
- Electric emergency descent system
- Manual emergency descent system
- Emergency stop system
- Anti crash device
- Remote fault diagnosis system
- overload protection
- Full action warning

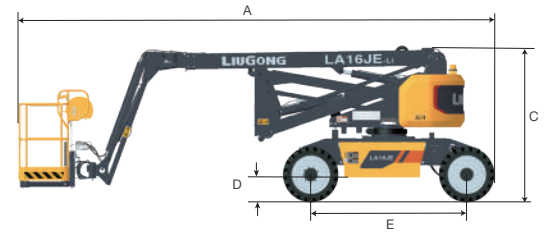


LA16JE >>>

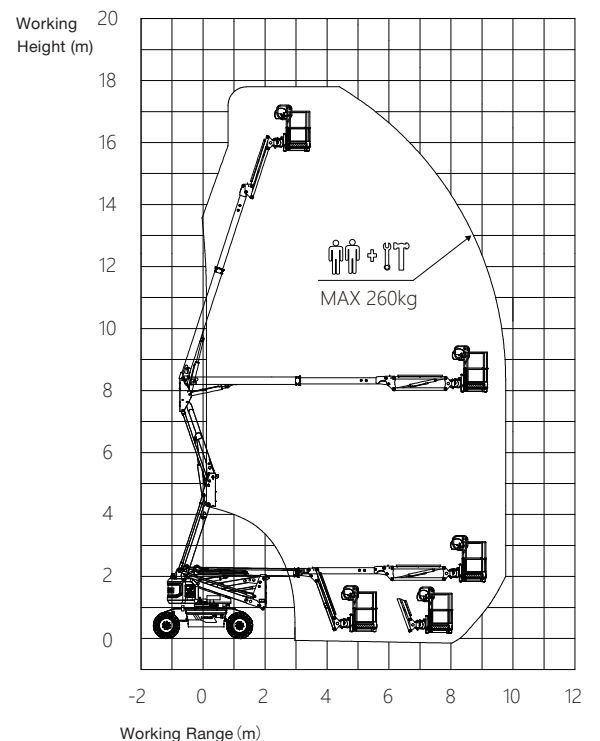


Main Parameters

Item	Unit	LA16JE
Size		
Max.Working Height	m	17.8
Max.Platform Height	m	15.8
Max.Operating Range	m	9.78
A-Overall Length(Stowed)	m	7.2
B-Overall Width(Stowed)	m	2.3
C-Overall Height(Stowed)	m	2.37
Overall Length(Transport)	m	7.2
Overall Width(Transport)	m	2.3
Overall Height(Transport)	m	2.37
Platform Size(L×W×H)	m	1.83×0.76×1.1
Turntable Tailswing	m	0
D-Ground learance	m	0.25
E-Wheelbase	m	2.36
Turning Radius(Inside/Outside)	m	2.06/4.78
Tyres	/	33×12-20 (Solid off-road tyre)
Maximum crossing height	m	8.16
Performance		
Platform Load(Unrestricted)	kg	260
Max.Occupants	/	2
Gradeability	/	40%
Travel Speed(Stowed)	km/h	4.8
Travel Speed(Raised)	km/h	1
Max.Working Slope	/	X-5°/Y-5°
Turret Rotation	/	360°Discontinuous
Platform Rotation	/	±90°
Jib Movement	/	-70°~+72°
Drive Steering Type	/	4WD×2WS
Weight		
Overall Weight	kg	7300
Power		
Battery (Lithium)	/	51.2V/304Ah
Charger	/	48V/60A
Driving Motor	/	24V/3.3kW
Lifting Motor	/	24V/10kW
Hydraulic Tank	L	65



LA16JE Performance Curve



LA20JE

Articulating Boom Lifts-Electric



Safe and Reliable

- Standard dual channel sensor, safe and reliable;
- Electric emergency power systems provide more security;
- The protection level of components of the whole machine is above IP65, the protection level is high.

Intelligent and efficient

- Composite action, intelligent and efficient;
- Electronic differential combined with suspending axle technology for better trafficability;
- The turntable rotates 360 ° continuously with small tail, which is suitable for narrow space operation;
- Four wheel strong AC electric drive, climbing capacity up to 45%, strong trafficability;
- High-power charger, large-capacity power battery, fast charging, ultra-long endurance.

Energy saving and comfort

- Self-weight decrease through the booms, energy saving and stable;
- Automatic deceleration at the action limit position, stable action, small shaking;
- Optimize the electric control algorithm with the load sensitive hydraulic system to achieve accurate power output.

Green and environmental protection

- Pure electric power, low use and maintenance cost, high return on investment;
- Green and environmental protection, no emission, low noise, meet indoor and outdoor working conditions.

Standard configuration

- Platform work lights
- Working strobe lamp
- Load Sensing System
- Electro hydraulic proportional control
- Automatic brake system
- Tilt protection system
- Telematics-BOX
- Electric emergency descent system
- Manual emergency descent system
- Emergency stop system
- Anti crash device
- Remote fault diagnosis system
- overload protection
- Full action warning

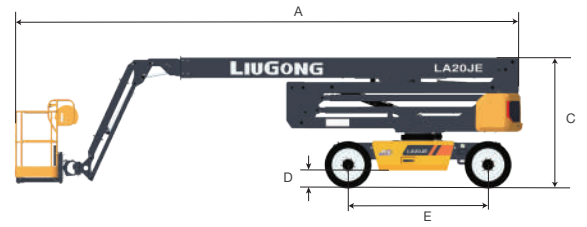


LA20JE >>>

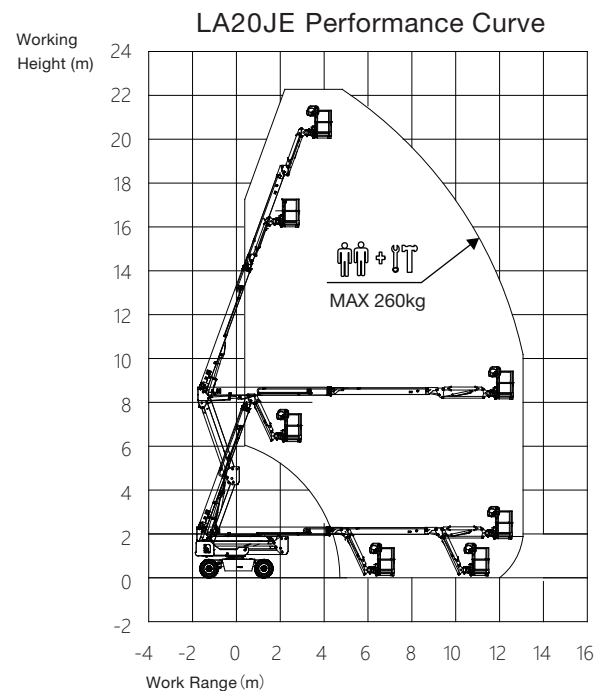


Main Parameters

Item	Unit	LA20JE
Size		
Max.Working Height	m	22.2
Max.Platform Height	m	20.2
Max.Operating Range	m	13.2
A-Overall Length(Stowed)	m	8.87
B-Overall Width(Stowed)	m	2.42
C-Overall Height(Stowed)	m	2.32
Overall Length(Transport)	m	8.87
Overall Width(Transport)	m	2.29
Overall Height(Transport)	m	2.2
Platform Size(L×W×H)	m	1.8×0.76×1.1
Turntable Tailswing	m	0.72
D-Ground learance	m	0.31
E-Wheelbase	m	2.5
Turning Radius(Inside/Outside)	m	2.4/5.5
Tyres	/	33×12-20 (Solid off-road tyre)
Maximum crossing height	m	8.3
Performance		
Platform Load(Unrestricted)	kg	260
Max.Occupants	/	2
Gradeability	/	45%
Travel Speed(Stowed)	km/h	5
Travel Speed(Raised)	km/h	0.6
Max.Working Slope	/	X-5°/Y-5°
Turret Rotation	/	360°Continuous
Platform Rotation	/	±90°
Jib Movement	/	-65°~+70°
Drive Steering Type	/	4WD×2WS
Weight		
Overall Weight	kg	9500
Power		
Battery (Lithium)	/	48V/460Ah
Charger	/	48V/60A
Driving Motor	/	32VAC/3.3kW
Lifting Motor	/	32VAC/10kW
Hydraulic Tank	L	93



Unit: m



LT16JE

Telescopic Boom Lifts-Electric



Safe and Reliable

- Standard dual channel sensor, safe and reliable;
- Electric emergency power systems provide more security;
- The protection level of components of the whole machine is above IP65, the protection level is high.

Intelligent and efficient

- Composite action, intelligent and efficient;
- Electronic differential combined with suspending axle technology for better trafficability;
- The turntable rotates 360 ° continuously with small tail, which is suitable for narrow space operation;
- Hybrid drive, with a climbing ability of up to 40%, energy-saving and efficient;
- High-power charger, large-capacity power battery, fast charging, ultra-long endurance.

Energy saving and comfort

- Self -weight decrease through the booms, energy saving and stable;
- Automatic deceleration at the action limit position, stable action, small shaking;
- Optimize the electric control algorithm with the load sensitive hydraulic system to achieve accurate power output.

Green and environmental protection

- Pure electric power, low use and maintenance cost, high return on investment;
- Green and environmental protection, no emission, low noise, meet indoor and outdoor working conditions.

Standard configuration

- Platform work lights
- Working strobe lamp
- Load Sensing System
- Electro hydraulic proportional control
- Automatic brake system
- Tilt protection system
- Telematics-BOX
- Electric emergency descent system
- Manual emergency descent system
- Emergency stop system
- Anti crash device
- Remote fault diagnosis system
- overload protection
- Full action warning

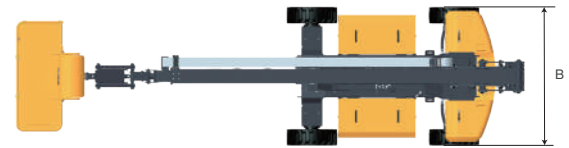
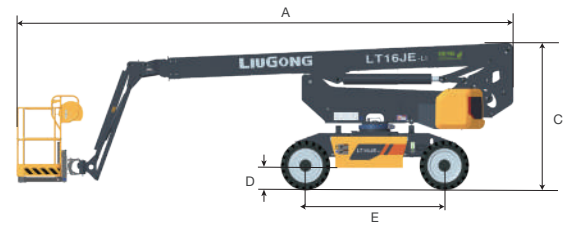


LT16JE >>>

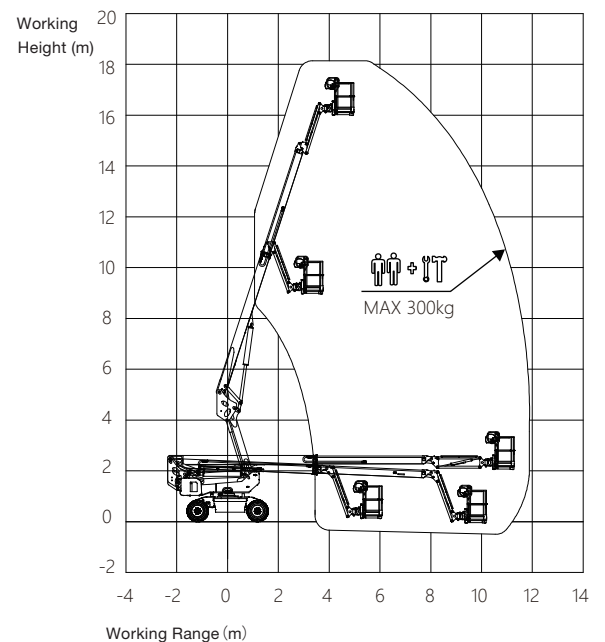


Main Parameters

Item	Unit	LT16JE
Size		
Max.Working Height	m	18.2
Max.Platform Height	m	16.2
Max.Operating Range	m	11.9
A-Overall Length(Stowed)	m	8.44
B-Overall Width(Stowed)	m	2.3
C-Overall Height(Stowed)	m	2.49
Overall Length(Transport)	m	8.44
Overall Width(Transport)	m	2.18
Overall Height(Transport)	m	2.29
Platform Size(LxWxH)	m	1.8×0.76×1.1
Turntable Tailswing(Raised)	m	0.8
Turntable Tailswing(Stowed)	m	1.28
D-Ground learance	m	0.37
E-Wheelbase	m	2.36
Turning Radius(Inside/Outside)	m	2.06/4.78
Tyres	/	33×12-20 (Solid off-road tyre)
Performance		
Platform Load(Unrestricted)	kg	300
Max.Occupants	/	2
Gradeability	/	40%
Travel Speed(Stowed)	km/h	5
Travel Speed(Raised)	km/h	1
Max.Working Slope	/	X-5°/Y-5°
Turret Rotation	/	360°Continuous
Platform Rotation	/	±90°
Jib Movement	/	-70°~+72°
Drive Steering Type	/	4WD×2WS
Weight		
Overall Weight	kg	7300
Power		
Battery (Lithium)	/	48V/304Ah
Charger	/	48V/60A
Driving Motor	/	24V/3.3kW
Lifting Motor	/	24V/10kW
Hydraulic Tank	L	65



LT16JE Performance Curve



LT20JE

Telescopic Boom Lifts-Electric



Safe and Reliable

- Standard dual channel sensor, safe and reliable;
- Electric emergency power systems provide more security;
- The protection level of components of the whole machine is above IP65, the protection level is high.

Intelligent and efficient

- Composite action, intelligent and efficient;
- Electronic differential combined with suspending axle technology for better trafficability;
- The turntable rotates 360 ° continuously with small tail, which is suitable for narrow space operation;
- Four wheel strong AC electric drive, climbing capacity up to 45%, strong trafficability;
- High-power charger, large-capacity power battery, fast charging, ultra-long endurance.

Energy saving and comfort

- Self-weight decrease through the booms, energy saving and stable;
- Automatic deceleration at the action limit position, stable action, small shaking;
- Optimize the electric control algorithm with the load sensitive hydraulic system to achieve accurate power output.

Green and environmental protection

- Pure electric power, low use and maintenance cost, high return on investment;
- Green and environmental protection, no emission, low noise, meet indoor and outdoor working conditions.

Standard configuration

- | | |
|---|------------------------------------|
| ·Platform work lights | ·Electric emergency descent system |
| ·Working strobe lamp | ·Manual emergency descent system |
| ·Load Sensing System | ·Emergency stop system |
| ·Electro hydraulic proportional control | ·Anti crash device |
| ·Automatic brake system | ·Remote fault diagnosis system |
| ·Tilt protection system | ·overload protection |
| ·Telematics-BOX | ·Full action warning |

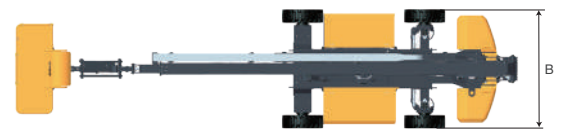
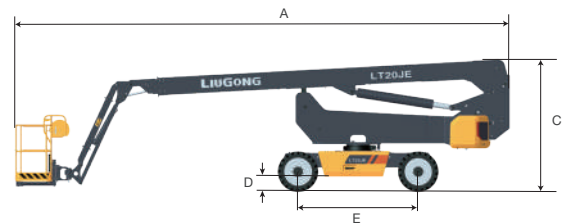


LT20JE >>>



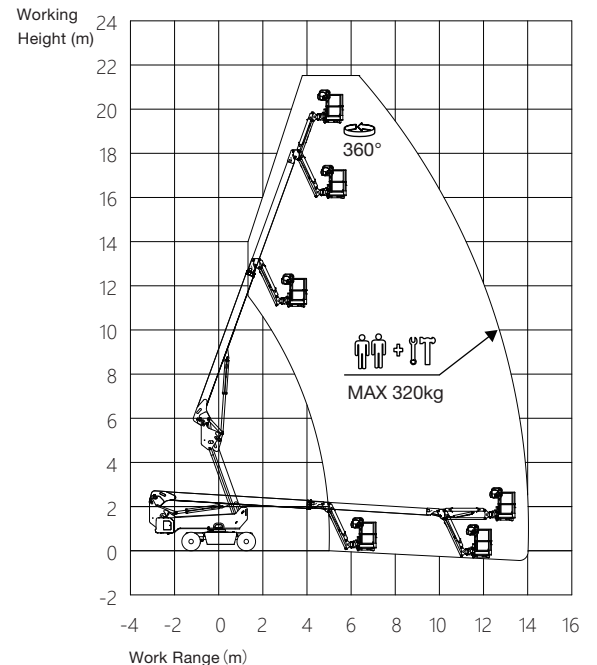
Main Parameters

Item	Unit	LT20JE
Size		
Max.Working Height	m	21.5
Max.Platform Height	m	19.5
Max.Operating Range	m	14
A-Overall Length(Stowed)	m	10.2
B-Overall Width(Stowed)	m	2.42
C-Overall Height(Stowed)	m	2.75
Overall Length(Transport)	m	10.2
Overall Width(Transport)	m	2.29
Overall Height(Transport)	m	2.67
Platform Size(LxWxH)	m	2.44x0.91x1.1
Turntable Tailswing(Raised)	m	1.55
Turntable Tailswing(Stowed)	m	1.95
D-Ground learance	m	0.31
E-Wheelbase	m	2.5
Turning Radius(Inside/Outside)	m	2.4/5.5
Tyres	/	33x12-20 (Solid off-road tyre)
Performance		
Platform Load(Unrestricted)	kg	320
Max.Occupants	/	2
Gradeability	/	45%
Travel Speed(Stowed)	km/h	5
Travel Speed(Raised)	km/h	1
Max.Working Slope	/	X-5°/Y-5°
Turret Rotation	/	360°Continuous
Platform Rotation	/	±90°
Jib Movement	/	-65°~+70°
Drive Steering Type	/	4WDx2WS
Weight		
Overall Weight	kg	9500
Power		
Battery (Lithium)	/	48V/460Ah
Charger	/	48V/60A
Driving Motor	/	32VAC/3.3kW
Lifting Motor	/	31VAC/10kW
Hydraulic Tank	L	93



Unit: m

LT20JE Performance Curve



LT22JE

Telescopic Boom Lifts-Electric

Safe and Reliable

- Standard dual channel sensor, safe and reliable;
- Electric emergency power systems provide more security;
- The protection level of components of the whole machine is above IP65, the protection level is high.

Intelligent and efficient

- Composite action, intelligent and efficient;
- Electronic differential combined with suspending axle technology for better trafficability;
- The turntable rotates 360 ° continuously with small tail, which is suitable for narrow space operation;
- Four wheel strong AC electric drive, climbing capacity up to 40%, strong trafficability;
- High-power charger, large-capacity power battery, fast charging, ultra-long endurance;
- 2.4 m large working platform,300kg/454kg double load design, carrying more materials, Higher operation efficiency.

Energy saving and comfort

- Self -weight decrease through the booms, energy saving and stable;
- Automatic deceleration at the action limit position, stable action, small shaking;
- Optimize the electric control algorithm with the load sensitive hydraulic system to achieve accurate power output.

Green and environmental protection

- Pure electric power, low use and maintenance cost, high return on investment;
- Green and environmental protection, no emission, low noise, meet indoor and outdoor working conditions.

Standard configuration

- | | |
|---|------------------------------------|
| ·Platform work lights | ·Electric emergency descent system |
| ·Working strobe lamp | ·Manual emergency descent system |
| ·Load Sensing System | ·Emergency stop system |
| ·Electro hydraulic proportional control | ·Anti crash device |
| ·Automatic brake system | ·Remote fault diagnosis system |
| ·Tilt protection system | ·overload protection |
| ·Telematics-BOX | ·Full action warning |

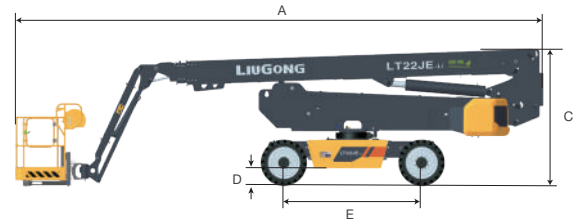


LT22JE >>>

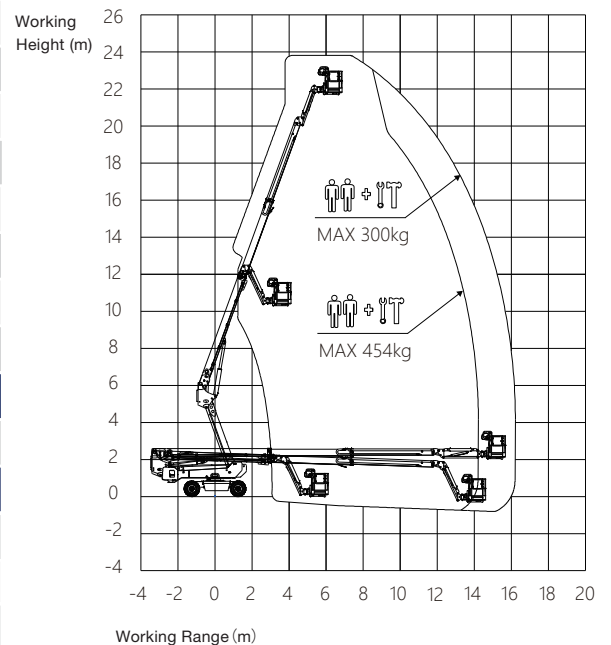


Main Parameters

Item	Unit	LT22JE
Size		
Max.Working Height	m	23.8
Max.Platform Height	m	21.8
Max.Operating Range	m	16.3
A-Overall Length(Stowed)	m	9.5
B-Overall Width(Stowed)	m	2.42
C-Overall Height(Stowed)	m	2.47
Overall Length(Transport)	m	9.5
Overall Width(Transport)	m	2.28
Overall Height(Transport)	m	2.27
Platform Size(L×W×H)	m	2.4×0.9×1.1
Turntable Tailswing(Raised)	m	1.65
Turntable Tailswing(Stowed)	m	2.25
D-Ground learance	m	0.31
E-Wheelbase	m	3
Turning Radius(Inside/Outside)	m	4.2/6.3
Tyres	/	33×12-20 (Solid off-road tyre)
Performance		
Platform Load(Unrestricted/restricted)	kg	300/454
Max.Occupants	/	2
Gradeability	/	40%
Travel Speed(Stowed)	km/h	5
Travel Speed(Raised)	km/h	1
Max.Working Slope	/	X-5°/Y-5°
Turret Rotation	/	360°Continuous
Platform Rotation	/	±90°
Jib Movement	/	-65°~+70°
Drive Steering Type	/	4WD×2WS
Weight		
Overall Weight	kg	11070
Power		
Battery (Lithium)	/	48V/460Ah
Charger	/	48V/60A
Driving Motor	/	24V/3.3kW
Lifting Motor	/	24V/12kW
Hydraulic Tank	L	100



LT22JE Performance Curve



LT26JE

Telescopic Boom Lifts-Electric



Safe and Reliable

- Standard dual channel sensor, safe and reliable;
- Electric emergency power systems provide more security;
- The protection level of components of the whole machine is above IP65, the protection level is high.

Intelligent and efficient

- Composite action, intelligent and efficient;
- Electronic differential combined with suspending axle technology for better trafficability;
- The turntable rotates 360 ° continuously with small tail, which is suitable for narrow space operation;
- Four wheel strong AC electric drive, climbing capacity up to 45%, strong trafficability;
- High-power charger, large-capacity power battery, fast charging, ultra-long endurance;
- 2.4 m large working platform,300kg/454kg double load design, carrying more materials, Higher operation efficiency.

Energy saving and comfort

- Self -weight decrease through the booms, energy saving and stable;
- Automatic deceleration at the action limit position, stable action, small shaking;
- Optimize the electric control algorithm with the load sensitive hydraulic system to achieve accurate power output.

Green and environmental protection

- Pure electric power, low use and maintenance cost, high return on investment;
- Green and environmental protection, no emission, low noise, meet indoor and outdoor working conditions.

Standard configuration

- Platform work lights
- Working strobe lamp
- Load Sensing System
- Electro hydraulic proportional control
- Automatic brake system
- Tilt protection system
- Telematics-BOX
- Electric emergency descent system
- Manual emergency descent system
- Emergency stop system
- Anti crash device
- Remote fault diagnosis system
- overload protection
- Full action warning

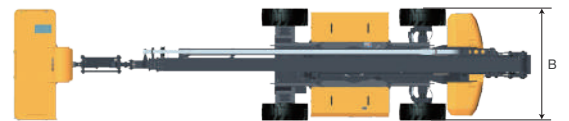
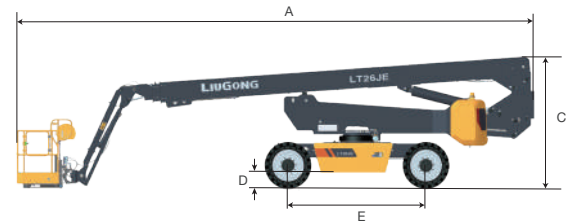


LT26JE >>>



Main Parameters

Item	Unit	LT26JE
Size		
Max.Working Height	m	28.1
Max.Platform Height	m	26.1
Max.Operating Range	m	19.88
A-Overall Length(Stowed)	m	11.03
B-Overall Width(Stowed)	m	2.44
C-Overall Height(Stowed)	m	2.88
Overall Length(Transport)	m	11.31
Overall Width(Transport)	m	2.28
Overall Height(Transport)	m	2.68
Platform Size(L×W×H)	m	2.4×0.9×1.1
Turntable Tailswing(Raised)	m	1.6
Turntable Tailswing(Stowed)	m	2.6
D-Ground learance	m	0.3
E-Wheelbase	m	3
Turning Radius(Inside/Outside)	m	3.5/6.8
Tyres	/	385/65-24 (Solid off-road tyre)
Performance		
Platform Load(Unrestricted/restricted)	kg	300/454
Max.Occupants	/	2
Gradeability	/	45%
Travel Speed(Stowed)	km/h	5
Travel Speed(Raised)	km/h	1
Max.Working Slope	/	X-5°/Y-5°
Turret Rotation	/	360°Continuous
Platform Rotation	/	±90°
Jib Movement	/	-65°~+70°
Drive Steering Type	/	4WD×2WS
Weight		
Overall Weight	kg	15000
Power		
Battery (Lithium)	/	83.2V/460Ah
Charger	/	80V/80A
Driving Motor	/	52VAC/5.2kW
Lifting Motor	/	52VAC/30kW
Hydraulic Tank	L	140



LT26JE Performance Curve

